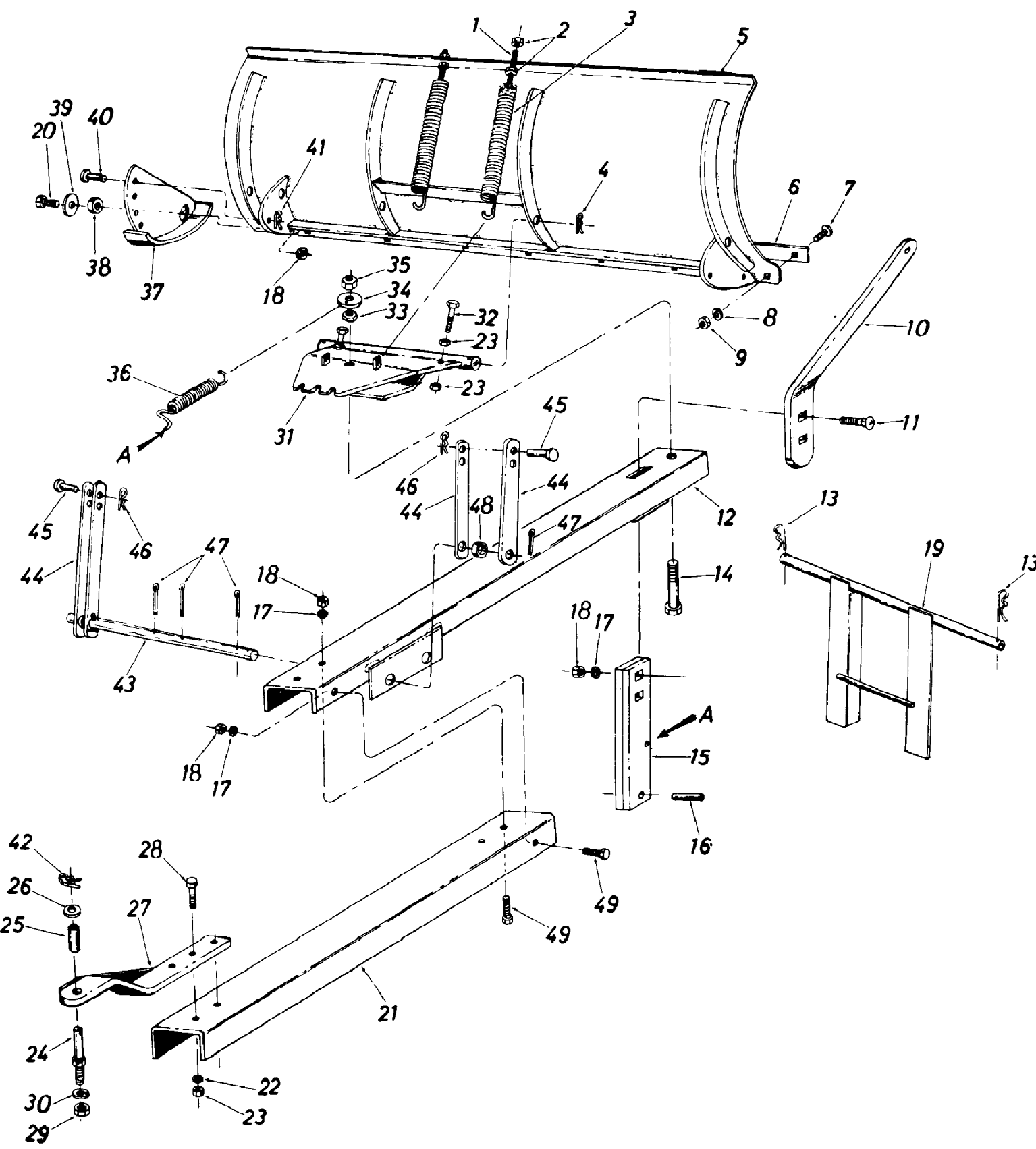


190-985-190 54" Snow Blade (1987)  
Blade Assembly



190-985-190 54" Snow Blade (1987)  
Blade Assembly

Page 2 of 2

Ref #	Part Number	Qty	S/P/F	Description
1	710-0693	1	/P	Hex Scr. 3/8-16 x 4.50" Lg.*
2	712-0798	1	/P	Hex Nut 3/8-16 Thd.*
3	732-0359	1	/P	Blade Adjustment Spring
4	714-0117	1	/P	Hair Pin Cotter, 5/32
5	05674	1		54" Blade Ass'y.
6	05687	1		Wear Plate
7	710-0451	1	/P	Carriage Bolt 5/16-18 x .75" Lg.*
8	736-0119	1	S	L.-Wash. 5/16" Scr.*
9	712-0267	1	S	Hex Nut 5/16-18 Thd.*
10	05666	1	/P	Lock Extension Bar
11	710-0305	1	S	Carriage Bolt 3/8-16 x 1.25" Lg.*
12	05649	1		Front Push Bar Ass'y.
13	714-0117	1	/P	Hair Pin Cotter, 5/32
14	710-0741	1		Hex Scr. 3/4-10 x 3.50" Lg.*
15	05665	1	S	Angle-Lock Bar
16	715-0114	1	S	Spring Pin Spirol .25" Dia. x 1.00" Lg.
17	736-0169	1	S	L.-Wash. 3/8" Scr.*
18	712-0375	1	/P	Hex L.-Nut 3/8-16 Thd.*
19	05707	1	/P	Guide Bracket Ass'y.
20	710-0216	1	/P	Hex Scr. 3/8-16 x .75" Lg.*
21	05611	1	S	Rear Push Bar Channel
22	736-0921	1	S	L.-Wash. 1/2" Scr.*
23	712-0206	1	S	Hex Nut 1/2-13 Thd.*
24	711-0497	1		Link Clevis Pin
25	1648-047	1		Spacer 1" O.D. x 21/32" I.D. x .75" Lg.
26	736-0156	1	/P	Fl-Wash. 21/32 I.D. x .090 O.D.
27	05646	1	S	Hitch Hanging Bar Ass'y.
28	710-0474	1	/P	Hex Scr. 1/2-13 x 1.25" Lg.*
29	712-0923	1	/P	Hex Jam L.-Nut 5/8-18 Thd.
30	736-0158	1	S	L.-Wash. 5/8" Scr.*
31	05677	1	S	Pivot Plate Ass'y.
32	710-0489	1		Hex Scr. 1/2-13 x 2.00" Lg.*
33	712-0301	1	/P	Hex Jam Nut 3/4-10 Thd.
34	736-0306	1	/P	Fl.-Wash. 3/8" (Special)
35	712-0205	1	/P	Hex Lock Nut 3/4-10Thd.
36	732-0360	1	S	Angle Lock Spring
37	05655	1	/P	Skid Assembly
38	750-0437	1	/P	Bushing, Pivot Skid
39	736-0258	1	/P	Fl.-Wash. .385" I.D. x 1.00" O.D.
40	711-0686	1	/P	Clevis Pin 5/16" Dia. x 3/4" Lg.
41	714-0101	1	S	Hair Pin Cotter 3/32"
42	714-0117	1	/P	Hair Pin Cotter, 5/32
43	738-0428	1		Lift Shaft
44	13786	1		Lift Link
45	711-0310	1	S	Clevis Pin 1/2" Dia. x 1.00" Lg.
46	714-0101	1	S	Hair Pin Cotter, 3/32"
47	714-047	1		Cotter Pin 1/8" Dia. x 1.50." Lg.*
48	750-0142	1	S	Spacer, Lift Link
49	710-0253	1	S	Hex Scr. 3/8-16 x 1.00" Lg.*